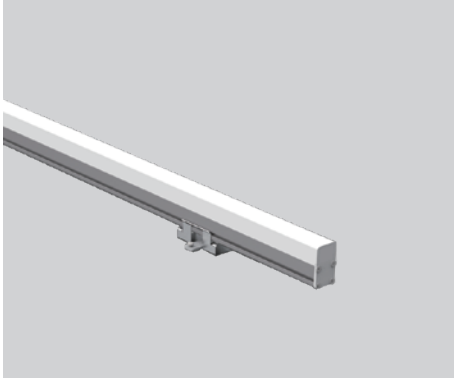


## PRODUCT DATASHEET

Last information update: May 2023



## UNI-LINE FLAT 1000MM

2607W15

Architectural linear LED wallwasher for outdoor applications

### Technical Features

Power	15W
Input voltage	DC24V ( constant voltage )
Insulation class	III
Delivered flux	670 lm ±10%
Light distribution type	direct-view
Beam angle	120°
Light colour / CCT	RGBW
CRI	-
Source type	LED ( 4-IN-1 )
LED number	60
MacAdam step	-
Power supply	Not included
Control	DMX512
Pixel	10 / meter
Protection index	IP65
Impact resistance	IK05
Lifetime	50,000 hours Ta=25°C

### Construction

Anodized extruded aluminum body, polycarbonate diffuser.

### Temperature Limits

Ambient operating temperature	from -20°C to +50°C
Storage temperature	from -40°C to +70°C

### Installation

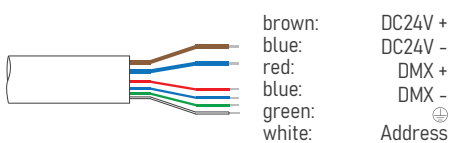
Surface mounted with bracket ( non-adjustable ).

### Finish Colours

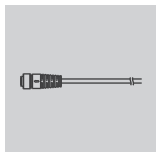
Aluminum as standard colour, RAL colours on request.

### Wiring

Power/DMX input cable MALE connector 500mm  
Power/DMX output cable FEMALE connector 500mm

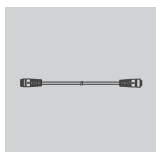


## Optional Accessories



with female 6-pin waterproof connector for DMX  
\* specify cable length to complete order

leader cable



with male and female 6-pin waterproof connector for DMX  
\* specify cable length to complete order

extension cable

## Ordering Information

example: **2607W15.0120.4130K.01+LC6**

2607W15 ·  ·  ·  +

product	beam angle	light colour / CCT	finish colour	accessory
UNI-LINE FLAT 1000MM 15W	0120 120°	4130K RGB+3000K	01 aluminum	LC6 leader cable
		4140K RGB+4000K		EC6 extension cable